

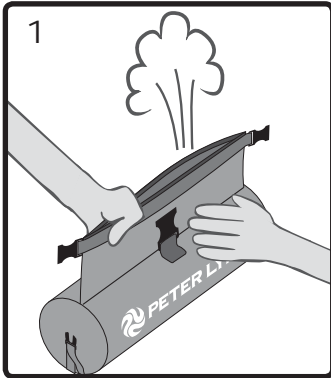
# Dry bag (for on your buggy)

**PLEASE NOTE:**

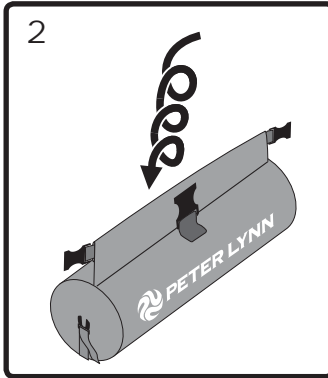
This bag is not guaranteed waterproof. Peter Lynn shall not be responsible for any costs, losses, or damages incurred as a result of using this product.

This bag is recommended to be used for kiting gear. Do not place heavy objects inside the bag or fill it with sand to add weight to your buggy.

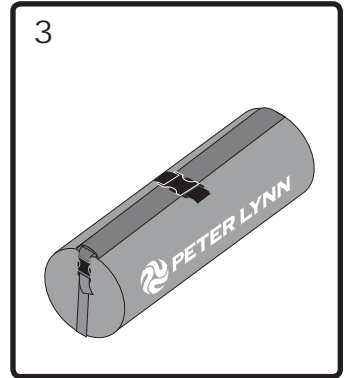
## Closing the dry bag properly



1. After filling the bag with the desired content, hold the two strips on the opening end of the bag together with one hand while pushing the air out of the bag with the other hand.



2. Roll the top end around the strips as tight as possible with as little creases as possible. By rolling it tight with minimal creases in the material the chance of any water getting in is minimized.



3. Attach the clips on the side as well as the center clip to secure the rolled section in place. Do not pull these clips too tight.

## Attaching the bag to your buggy

As buggies may differ in design, there is no general method, however, it is recommended to:

- Attach the bag to the back part of the sideframes or the seat, so it sits just above the back axle.
- Wrap the ends of the top webbing around the sideframe tubes once, before connecting the ends back together. This will prevent the bag from sliding down.